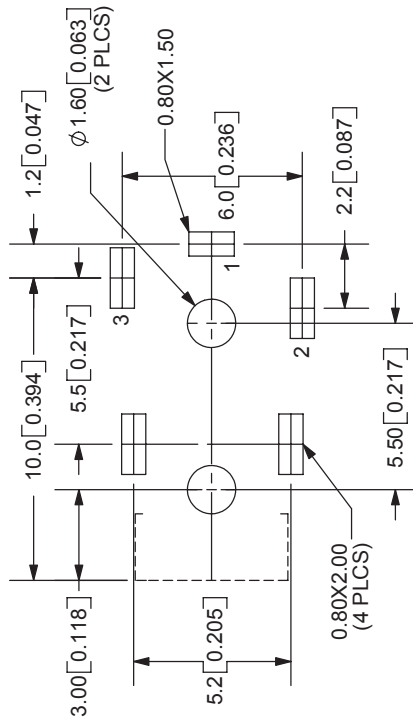
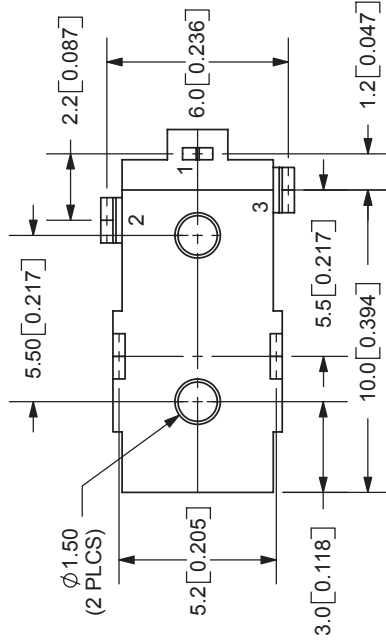
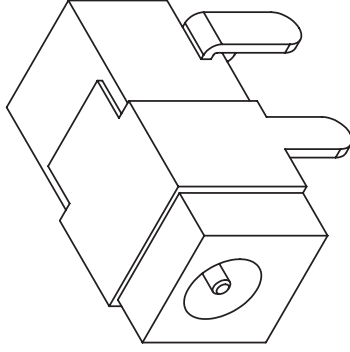
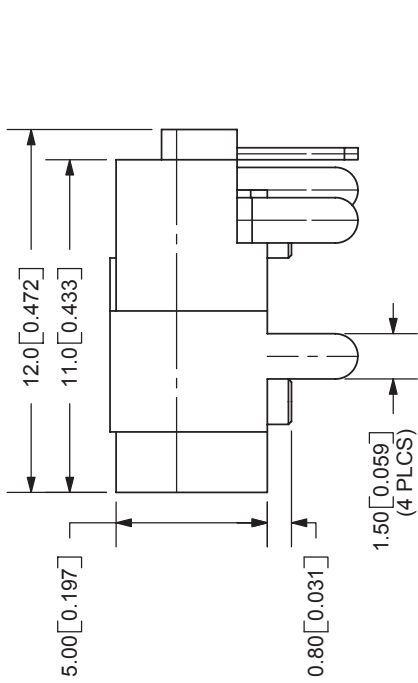
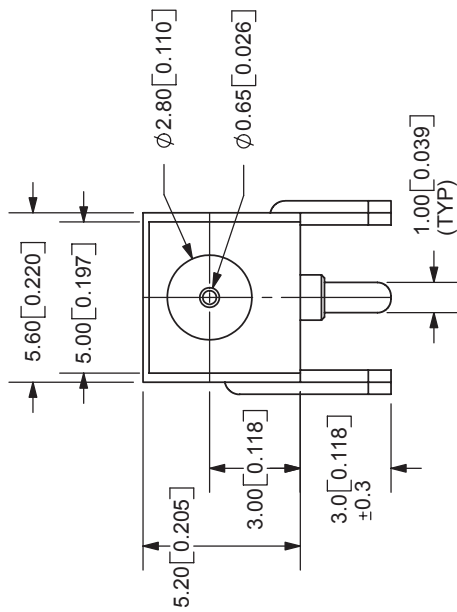


REV.	DESCRIPTION	DATE
A	NEW DRAWING	4/17/2006



TOLERANCE:  
 X.X ±0.2mm  
 X.XX ±0.1mm  
 X.XXX ±0.05mm



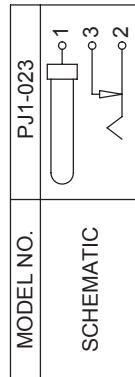
9615 SW Allen Blvd., Ste. 103  
 Beaverton, OR 97005  
 Phone: 503-643-4899  
 800-275-4899  
 Fax: 503-372-1266  
 Website: www.cui.com

**SPECIFICATIONS:**  
 RATING: 16V DC @ 1A  
 CONTACT RESISTANCE: 30m OHMS MAX  
 INSULATION RESISTANCE: 50M OHMS MIN. 500V DC  
 VOLTAGE WITHSTAND: 500V AC R.M.S. FOR 1 MINUTE  
 LIFE: 5,000 CYCLES  
 OPERATING TEMP: -25° ~ +85°C

	MATERIAL	PLATING
CENTER PIN	Brass	Silver
TERMINAL 1	Brass	Silver
TERMINAL 2	Copper Alloy	Silver
TERMINAL 3	Brass	Silver
SHIELD	Cold Rolled Steel	
HOUSING	PA66	

TITLE:	0.65mm DC POWER JACK, PCB MOUNT w/SHIELD	REV:	A
PART NO:	PJ1-023	UNITS:	MM [INCHES]
DRAWN BY:	ZRJ	APPROVED BY:	
SCALE:			4:1

PCB LAYOUT  
 TOP VIEW



CENTER PIN DIAMETER 0.65mm Dia.

PC FILE NAME: PJ1-023

COPYRIGHT 2006 BY CUI INC.